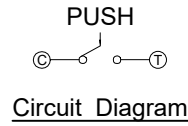


CCW → CW  
PUSH

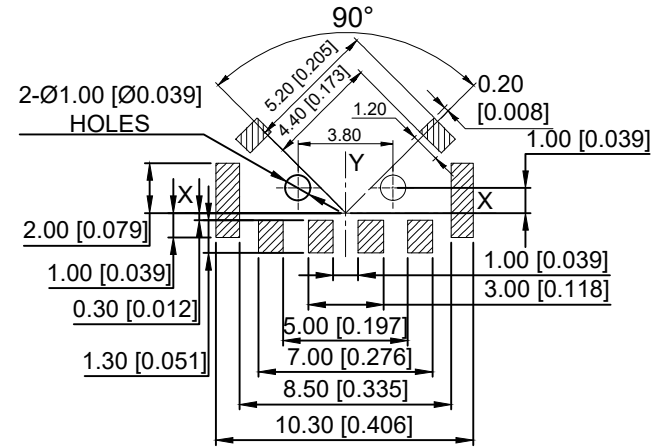
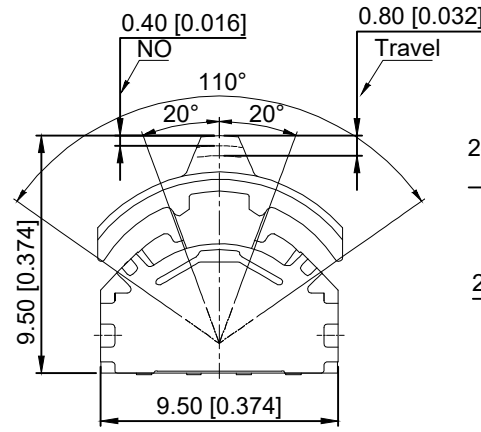
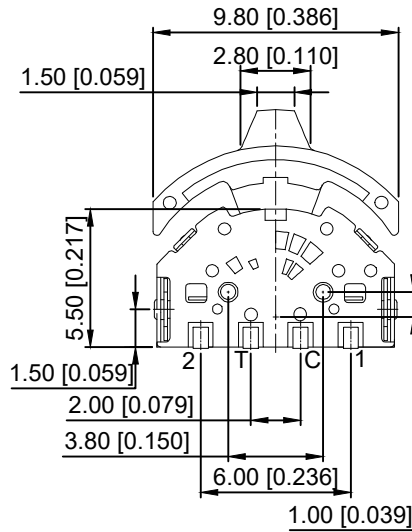
		0° (ZZ=NO)			
TER	ANG	(20°)	(15°)	(15°)	(20°)
①					
②					
③					

ccw ← → cw

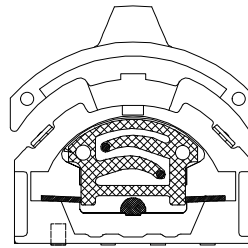
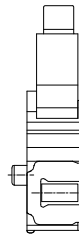
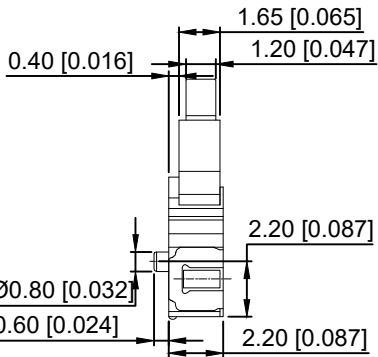


NOTE:  
Operating Force:  
lever portion 100 ± 30 gf  
Push portion 250 ± 50 gf

CODE TABLE



P.C.B Mounting  
Pattern Dimension



ITEM	PAPT	NAMF	TER,NO	QTY	MATERIAL	FINISHING	REMARK
⑥		Terminal	—	4	Brass(0.15t)	Plating silver	
⑤		Contact	—	1	F.ag/Brass	Plating silver	
④		Base	—	1	Nylon		
③		Spring	—	1	Sus	Natural	
②		Cover	—	1	Sus	Natural	
①		Keystake	—	1	Nylon		

MARK	DESCRIPTION	DATE	REVISED	APPROVED	UNSPECIFIED TOLERANCES
Δx					ANGLAR ±5°
Δx					L ≤ 4 ±0.2
Δx					4 < L ≤ 16 ±0.3
					16 < L ≤ 63 ±0.4
					L > 63 ±0.5

DSND		DATE		SCALE: N/A	MODEL TYPE: MULTI-FUNCTIONAL SWITCH
DWN		DATE		VIEW:	PART NO.:
CHKD		DATE		UNIT: mm/in	DWG NO.:
APPD		DATE		SIZE: A4	TM-2023
				XKB INDUSTRIAL PRECISION CO., LIMITED	WEIGHT 1.0g
					SHEET 1/1
					REVISION A0